

Technical Data for **MQ-Series** Mass Flow Meters

50 SLPM full scale through **3000 SLPM** full scale

Standard specifications. Consult Alicat for available options.

SENSOR PERFORMANCE	
Mass Flow Accuracy at Calibration Conditions ¹	±2% of full scale
Bidirectional Option ¹	No additional uncertainties
Repeatability	±0.2% of full scale
Flow Measurement Range	0.5–100% of full scale
Temperature Sensitivity	Mass flow zero shift: ±0.01% of full scale per °C from tare temperature, per atm Mass flow span shift: ±0.01% of reading per °C from 25°C, per atm
Pressure Sensitivity	Mass flow zero shift: ±0.01% of full scale per atm from tare pressure Mass flow span shift: ±0.1% of reading per atmosphere from calibration conditions
Operating Temperature Range	–10–60°C
Temperature Accuracy	±0.75°C
Operating Pressure Full Scale	320 PSIA
Pressure Accuracy above 1 atm	±0.5% of reading
Pressure Accuracy below 1 atm	±0.07 PSIA
Totalizer Volume Uncertainty	±0.5% of reading additional uncertainty
Sensor Response Time	<1 ms
Typical Indication Response Time	<10 ms, flow rate dependent
Typical Warm-Up Time	<1 s

¹ Stated accuracy is after tare under equilibrium conditions, includes repeatability and linearity.

MECHANICAL	
Minimum Operating Pressure	11.5 PSIA common mode pressure (consult Alicat for lower operating pressures) Differential pressure must exceed model pressure drop, see below for details
Maximum Operating Pressure	Damage possible above 400 PSIA common mode pressure Damage possible above 75 PSI differential pressure
Ingress Protection	IP40 (consult Alicat for weatherproofing options)
Humidity Range	0–95%, non-condensing
Wetted Materials	302, 303, 304, and 316L stainless steel; FKM, alumina ceramic, glass, gold, heat-cured epoxy, heat-cured silicone rubber, polyamide, silicon

COMMUNICATIONS	
Analog I/O Options	4–20 mA, 0–5 VDC, 1–5 VDC, 0–10 VDC
Digital I/O Options	RS-232 Serial by default RS-485 Serial, Modbus RTU (over RS-232 or RS-485), Modbus TCP/IP, DeviceNet, EtherCAT, EtherNet/IP, Profibus
Electrical Connection Options	6-pin locking, 8-pin mini-DIN, 8-pin M12, DB-9, DB-15
Power Requirements ²	9–24 VDC, 40 mA (12–24 VDC, 80 mA if equipped with 4–20 mA or 0–10 VDC output)
Digital Data Update Rate ²	40 Hz at 19200 baud
Analog Data Update Rate	1 kHz
Display Update Rate	10 Hz
Analog Signal Accuracy	±0.1% of full scale additional uncertainty

² Consult the individual operating bulletins for specific industrial protocol power requirements and data transmission specifications.

Technical Data for **MQ-Series** Mass Flow Meters

50 SLPM full scale through **3000 SLPM** full scale

Standard specifications. Consult Alicat for available options.

FEATURES	
STP Reference Conditions	25°C and 1 ATM (default), user configurable
NTP Reference Conditions	0°C and 1 ATM (default), user configurable
Monochrome LCD or Color TFT Display with Integrated Touchpad	Simultaneously displays mass flow, volumetric flow, temperature, and pressure
Gas Select™	98 user-selectable gases stored internally. Each gas optimized to match NIST's REFPROP 10 gas property calculations across the operating temperature and pressure ranges for highest accuracy.
COMPOSER™	20 user-definable gas mixes. Each mix may have up to 5 gases with 0.01% composition precision.

RANGE-SPECIFIC TECHNICAL DATA			
Full scale flow	Pressure drop at full scale flow venting to atmosphere	Process connections ³	Mount tap size
50 SLPM	2.0 PSID	¼" NPT female	4× 8-32 UNC 0.375 in [9.53 mm]
100 SLPM	2.5 PSID	¼" NPT female	4× 8-32 UNC 0.375 in [9.53 mm]
250 SLPM	2.1 PSID	½" NPT female	4× 8-32 UNC 0.375 in [9.53 mm]
500 SLPM	4.0 PSID	¾" NPT female	4× 8-32 UNC 0.375 in [9.53 mm]
1000 SLPM	6.0 PSID	¾" NPT female	4× 8-32 UNC 0.375 in [9.53 mm]
2000 SLPM	5.0 PSID	¾" NPT female	4× 8-32 UNC 0.330 in [8.38 mm]
3000 SLPM	7.1 PSID	1¼" NPT female	4× 8-32 UNC 0.330 in [8.38 mm]

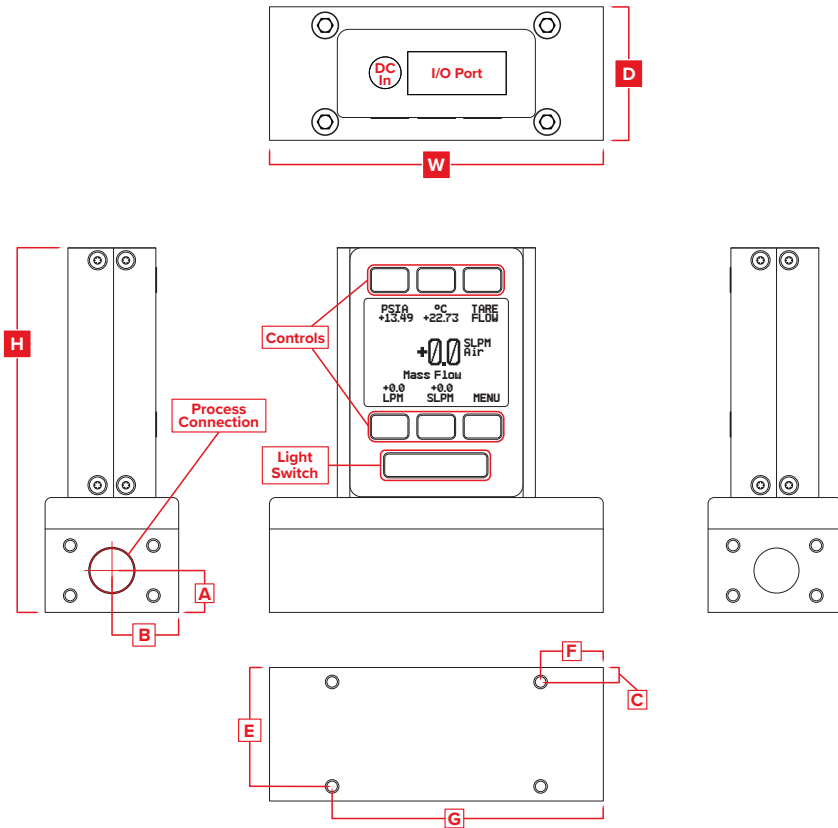
³ Consult Alicat for available process connection options, such as: Compression, face seal, push-to-connect, BSPP, SAE, or Swagelok® (including tube, VCO®, and VCR®).

This area intentionally left blank

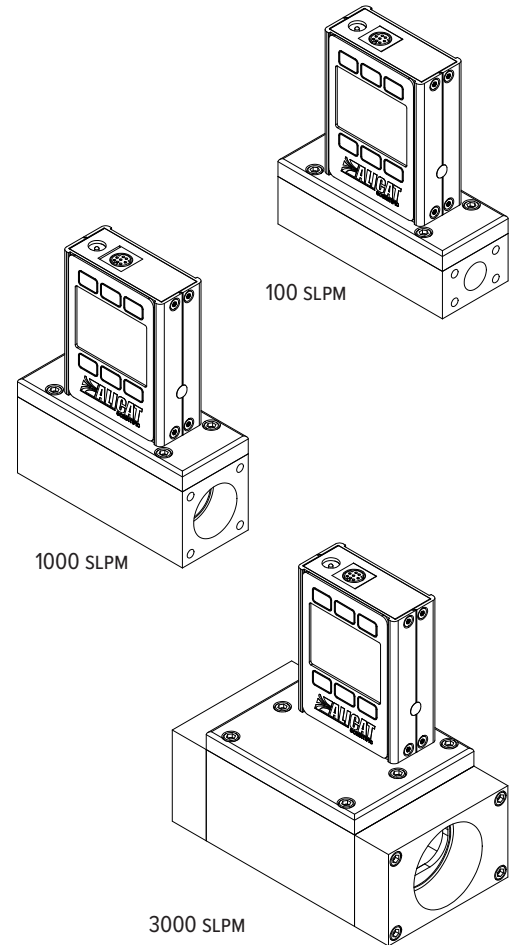
Technical Data for MQ-Series Mass Flow Meters

50 SLPM full scale through 3000 SLPM full scale

Standard specifications. Consult Alicat for available options.



Representative Examples



Full scale flow	DIMENSIONS									WEIGHT
	Height	Width	Depth	A	B	C	E	F	G	
50–100 SLPM	4.367 in	4.000 in	1.600 in	0.500 in	0.800 in	0.175 in	1.425 in	0.750 in	3.250 in	≈ 2.4 lb
	110.92 mm	101.60 mm	40.64 mm	12.70 mm	20.32 mm	4.45 mm	36.20 mm	19.05 mm	82.55 mm	≈ 1.1 kg
250 SLPM	4.967 in	4.000 in	1.600 in	0.800 in	0.800 in	0.175 in	1.425 in	0.750 in	3.250 in	≈ 2.4 lb
	126.16 mm	101.60 mm	40.64 mm	20.32 mm	20.32 mm	4.45 mm	36.20 mm	19.05 mm	82.55 mm	≈ 1.1 kg
500 SLPM	4.967 in	4.000 in	1.600 in	0.800 in	0.800 in	0.175 in	1.425 in	0.750 in	3.250 in	≈ 3.5 lb
	126.16 mm	101.60 mm	40.64 mm	20.32 mm	20.32 mm	4.45 mm	36.20 mm	19.05 mm	82.55 mm	≈ 1.6 kg
1000 SLPM	4.967 in	4.000 in	1.600 in	0.800 in	0.800 in	0.175 in	1.425 in	0.750 in	3.250 in	≈ 3.5 lb
	126.16 mm	101.60 mm	40.64 mm	20.32 mm	20.32 mm	4.45 mm	36.20 mm	19.05 mm	82.55 mm	≈ 1.6 kg
2000 SLPM	5.287 in	5.200 in	2.900 in	1.120 in	1.450 in	0.200 in	2.700 in	1.350 in	3.850 in	≈ 4.5 lb
	134.29 mm	132.08 mm	73.66 mm	28.45 mm	36.83 mm	5.08 mm	68.58 mm	34.29 mm	97.79 mm	≈ 2.0 kg
3000 SLPM	5.287 in	5.200 in	2.900 in	0.960 in	1.450 in	0.200 in	2.700 in	1.350 in	3.850 in	≈ 4.5 lb
	134.29 mm	132.08 mm	73.66 mm	24.38 mm	36.83 mm	5.08 mm	68.58 mm	34.29 mm	97.79 mm	≈ 2.0 kg