

Technical Data for **EPC** and **EPCD**-Series Pressure Controllers

1–100 PSI OEM single-valve and dual-valve controllers for absolute and gauge pressure

Standard specifications. Consult Alicat for available options.

SENSOR AND CONTROL PERFORMANCE	
Accuracy at calibration conditions ¹	±0.125% of full scale
Repeatability (2σ) ¹	±0.08% of full scale
Steady State Control Range	0.01–100% of full scale
Typical Control Response Time ²	As fast as 50 ms, user adjustable
Valve Function	Normally closed
Temperature Sensitivity ³	Zero shift: 0.02% full scale per °C from tare temperature Span shift: 0.02% full scale per °C from calibration temperature
Operating Temperature Range	–10–60°C
Burst Pressure	3× full scale
Sensor Response Time	<1 ms
Typical Indication Response Time	<10 ms
Typical Warm-Up Time	<1 s

1 Repeatability is included in the accuracy statements.

2 Volumes, feed pressures, exhaust pressures, and line sizing will determine the limits of response times.

3 Tare is not available on absolute pressure devices.

MECHANICAL	
Gas Compatibility ⁴	Compatible with non-corrosive gases
Mounting Attitude Sensitivity	None
Mounting Options	2× through holes accepting #4 cap head screws and 2× 4-40 UNC tapped holes with a depth of 0.200" [5.08 mm]
Humidity Range	0–95%, non-condensing
Wetted Materials	302 and 430FR stainless steel, aluminum, FKM, alumina ceramic, glass, gold, heat-cured epoxy, heat-cured silicone rubber, nickel plated brass, polyamide, silicon nickel plated brass, polyamide, silicon
Process Connection ⁵	EPC and EPCD inlet and outlet: 1/8" NPT female EPCD exhaust: M5×0.8 female

4 For aggressive gases, please see our PCS-Series pressure controllers. Verify compatibility with wetted materials. For use with water and other liquids, please contact Alicat.

5 Additional process connection options are available. Contact Alicat for more information.

STANDARD AVAILABLE RANGES					
Pressure Range Unit	1 PSI	5 PSI	15 PSI	30 PSI	100 PSI
Absolute Pressure			✓	✓	✓
Gauge Pressure	✓	✓	✓	✓	✓

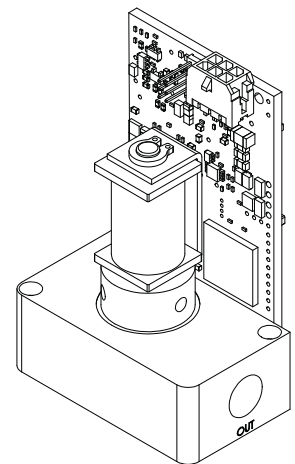
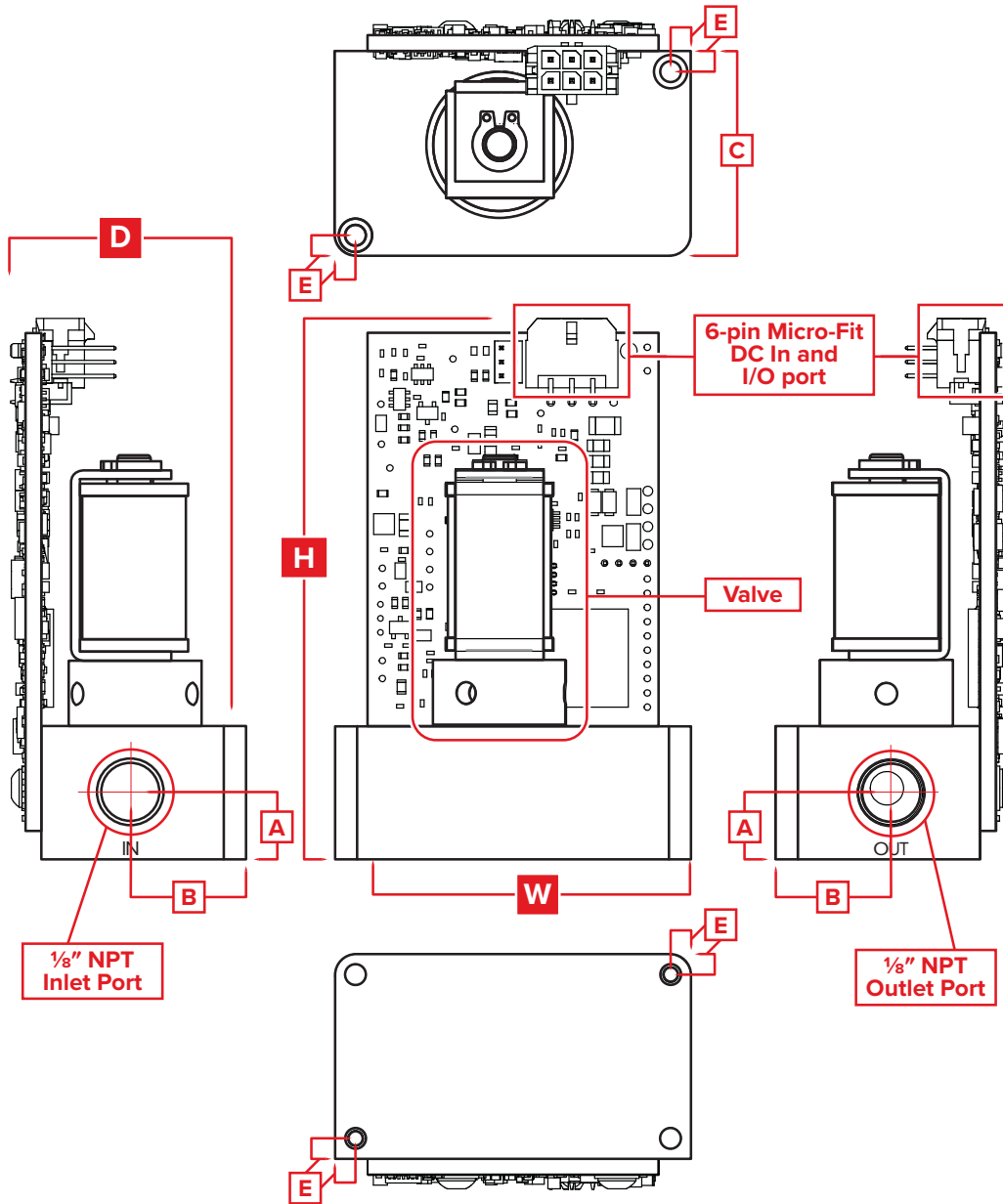
COMMUNICATIONS	
Analog I/O Options	0–5 Vdc, 1–5 Vdc, 0–10 Vdc, 4–20 mA
Digital I/O Options	RS-232 serial by default RS-485 serial, Modbus RTU (over RS-232 or RS-485 serial)
Electrical Connection	6-pin Molex® Micro-Fit
Power Requirements	24 Vdc, 290 mA (12 volt options available, please contact Alicat)
Digital Data Update Rate	40 Hz at 19200 baud
Analog Data Update Rate	1 kHz
Analog Signal Accuracy	±0.1% of full scale additional uncertainty

Technical Data for **EPC** and **EPCD**-Series Pressure Controllers

1–100 PSI OEM single-valve and dual-valve controllers for absolute and gauge pressure

Standard specifications. Consult Alicat for available options.

EPC-Series



DIMENSIONS ⁶								WEIGHT
Series	Height	Width	Depth	A	B	C	E	
EPC	3.041 in	2.000 in	1.322 in	0.375 in	0.650 in	1.150 in	0.115 in	≈ 0.25 lb
	77.24 mm	50.80 mm	33.58 mm	9.53 mm	16.51 mm	29.21 mm	2.92 mm	≈ 0.11 kg

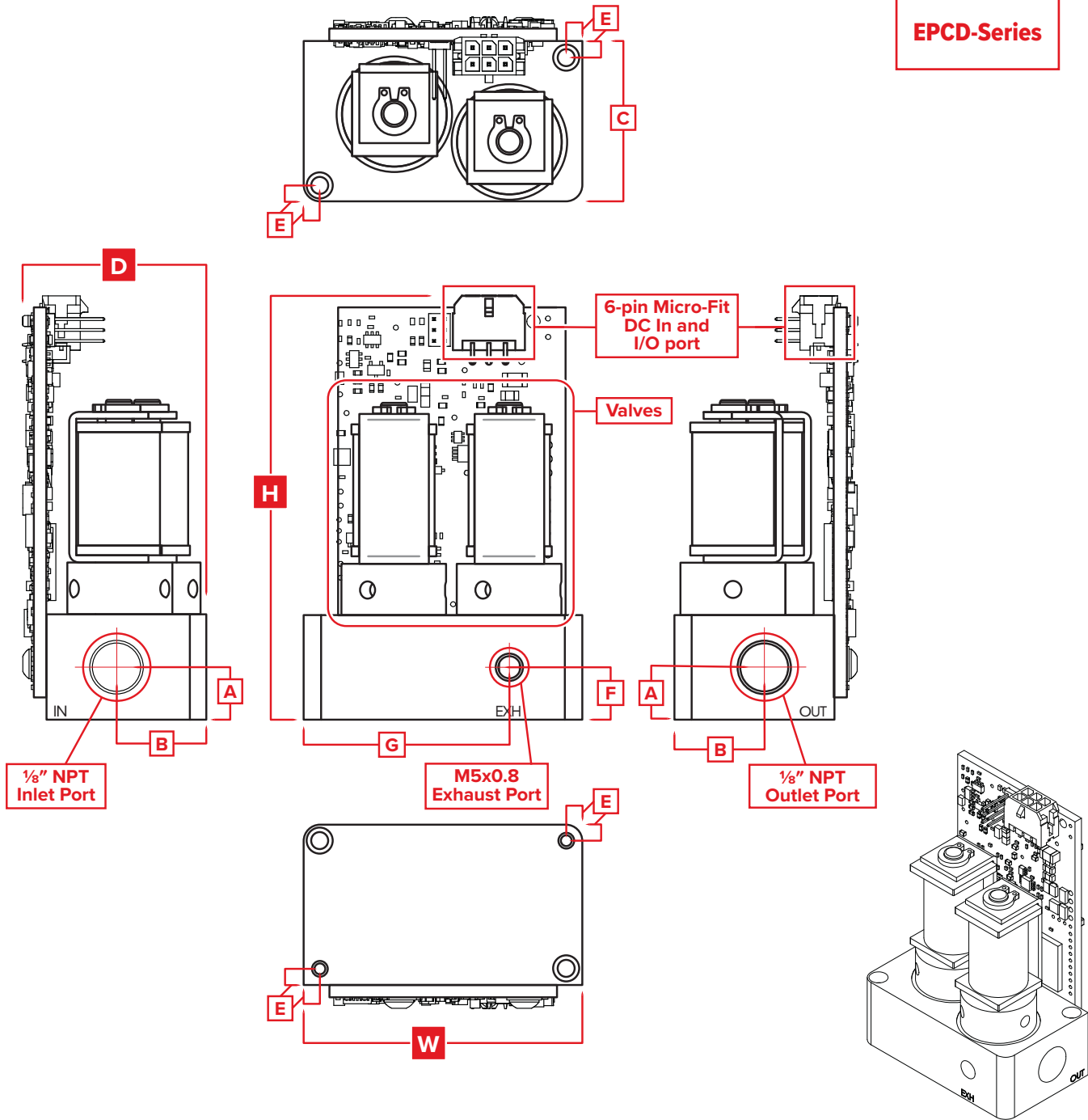
⁶ Port locations and other dimensions may be customized. Contact Alicat for more information.

Technical Data for **EPC** and **EPCD**-Series Pressure Controllers

1–100 PSI OEM single-valve and dual-valve controllers for absolute and gauge pressure

Standard specifications. Consult Alicat for available options.

EPCD-Series



DIMENSIONS ⁶										WEIGHT
Series	Height	Width	Depth	A	B	C	E	F	G	
EPCD	3.041 in	2.000 in	1.322 in	0.375 in	0.650 in	1.150 in	0.115 in	0.375 in	1.476 in	≈ 0.48 lb
	77.24 mm	50.80 mm	33.58 mm	9.53 mm	16.51 mm	29.21 mm	2.92 mm	9.53 mm	37.49 mm	≈ 0.22 kg

⁶ Port locations and other dimensions may be customized. Contact Alicat for more information.