

# MUX WIRE VALVES & VALVE CONTROLLER

ELVEFLOW.COM/MICROFLUIDIC-FLOW-CONTROL-PRODUCTS/FLOW-CONTROL-SYSTEM/MMW-MICROFLUIDIC-MUX-WIRE/

## PLUG YOUR VALVES ANYWHERE IN YOUR MICROFLUIDIC SETUP

- ✓ MIX ALL KINDS OF VALVES
- ✓ PLUG FROM 1 TO 8 VALVES
- ✓ EASILY STACK THEM



### LOW PRESSURE VALVE 2-WAY OR 3-WAY

**2-WAY:** Pick default setting: open or closed

- > Compatible with gas or liquid
- > ROCKER® valve technology (flow displacement < 10 nL)
- > Low internal volume: 20 µL & orifice diameter 1.4 mm
- > Wide pressure range: -0.75 bar to 2.5 bar (-11 psi to 37 psi)
- > High chemical resistance. Wetted materials: PEEK + FKM + PVDF and on-demand options: (PEEK or PFA) + (EPDM or FKM or Kalrez) + (PFA or PVDF)



### HIGH PRESSURE VALVE 2-WAY OR 3-WAY

**2-WAY:** Pick default setting: open or closed

- > Compatible with gas or liquid
- > ROCKER® valve technology (flow displacement < 10 nL)
- > Low internal volume: 50 µL & orifice diameter: 1.6 mm
- > Wide pressure range: 0 bar to 4.5 bar (0 psi to 65 psi)
- > High chemical resistance. Wetted materials: PEEK + FKM + PVDF and on demand options: (PEEK or PFA) + (EPDM or FKM or Kalrez) + (PFA or PVDF)



### CUSTOM MANIFOLD

On-demand design

- > We design on demand any fluidic manifold compatible with our valves to meet your requirements.
- > For instance, we can provide you with 4/1 valves with 20 ms closing time.

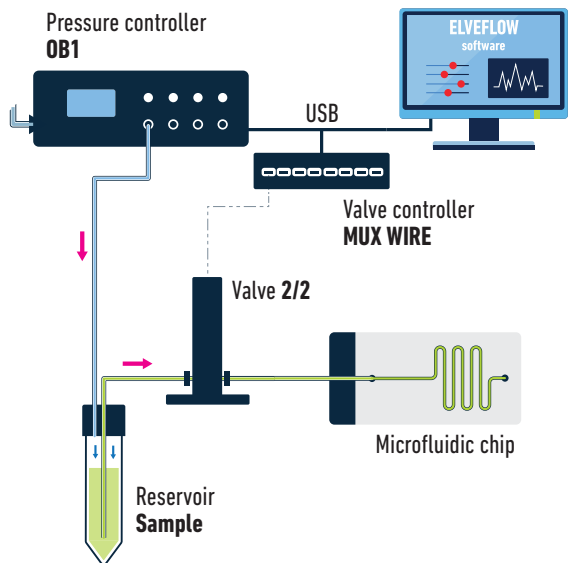


### VALVE CONTROLLER

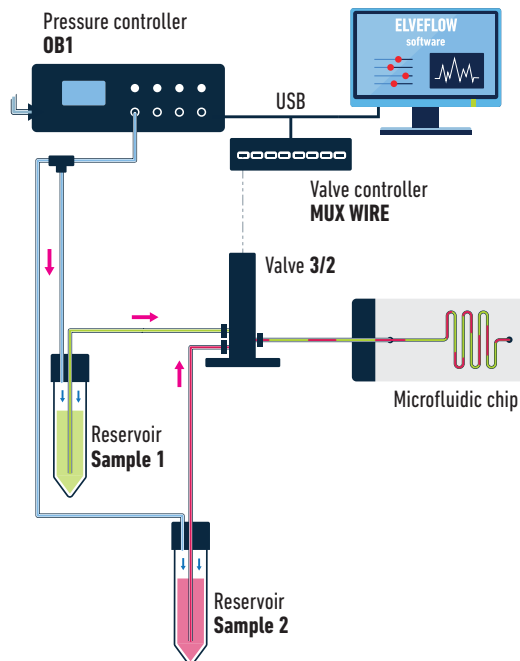
Easily control your microfluidic valves

- > Fast liquid switching
- > Liquid sampling
- > Stop and go flows
- > Complex sequences of injection including flushing, rinsing, and sequential injection of several liquids

### MICROFLUIDIC 2-WAY VALVE



### MICROFLUIDIC 3-WAY VALVE



## TECHNICAL SPECIFICATIONS

VALVES	VALVES DESIGN		
<b>Low pressure valve</b> -0.75 bar to 2.5 bar (-11 psi to 37 psi) With casing - Fittings: 1/4-28"	2-way Normally open	2-way Normally closed	3-way
<b>High pressure valve</b> 0 bar to 4.5 bar (0 psi to 65 psi) Without casing - Fittings: 10-32"	2-way Normally open	2-way Normally closed	3-way
Wetted materials (all valves)	PEEK + FKM + PVDF on demand options: (PEEK or PFA) + (EPDM or FKM or Kalrez) + (PFA or PVDF)		

Non-contractual information, may be changed without notice.

VALVE CONTROLLER	SPECIFICATIONS
Number of controlled valves	8
Bus interface	USB 2.0
Power supply	24 VDC, 1.5 A
Max total power (sum of the power of all connected valves)	35 W
Max valve power	10 W
Valve connectors	MICRO USB

Non-contractual information, may be changed without notice.

VALVE CONTROLLER DIMENSIONS without connectors (length x width x height): 128 x 81.5 x 31 mm    WEIGHT: 251 g    TTL TRIGGER: input/output 5 V